




A well-organised care station and regular hoof care not only increase animal welfare and the health of your cows, but above all **your economic efficiency!**

With your own care station and the appropriate Rosensteiner hoof trimming system, you can react quickly, treat your animals immediately and thus **save time and money!**

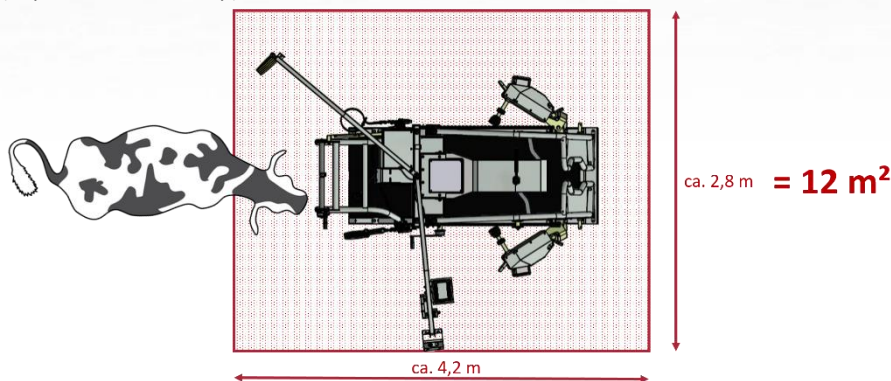


### 1. SUITABLE PLACE

-  **1.1. EXISTING BUILDING:** Here it is necessary to determine whether there is a **suitable area** in the barn for the care station or whether this must be created first. For example, with a break-through or a box relocation.
-  **1.2. NEW BUILDING:** When building a **new barn**, the care station should be considered and integrated during the planning stage.
-  **1.3. SPACE REQUIREMENTS:** For both systems you need an average of **12m<sup>2</sup>** to be able to work comfortably.

#### SPACE REQUIREMENT FOR DRIVE-THROUGH CRUSH:

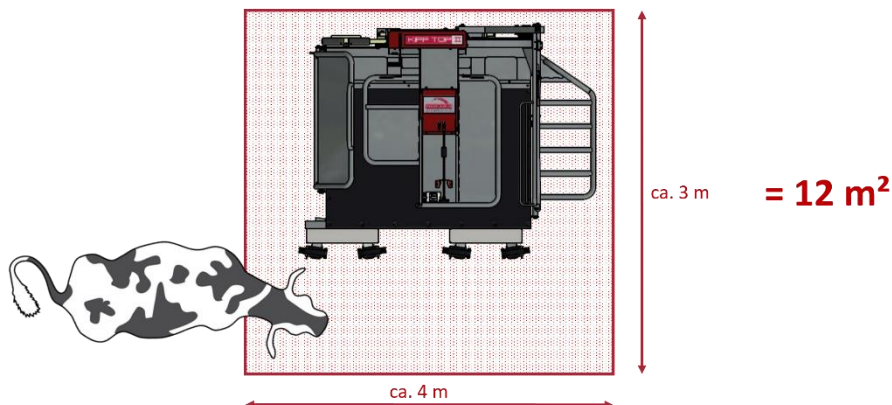
(Top 5 / Red 5/ Bull Top)



With **walk-through crushes**, you need enough space around the device to have good access to all 4 legs.

#### SPACE REQUIRED FOR TIPPING CRUSH:

(Kipp Top II / Red Q / RS-Q / Vet Pro)



The **tipping crush** can also be placed in an alcove or corner, as work is only carried out on one side with this device. The room height of the stable should be about 2.6m so that the crush can be tilted without any problems.



### 2. EASY DRIVE IN AND OUT OF THE CATTLE

#### 2.1. EASY TO DRIVE IN AND OUT BY MEANS OF A DRIVEWAY



The cows must be able to get into the hoof trimming crush and back to the herd again as easily as possible, without stress and via familiar routes. **A narrow driveway ensures this.**



#### 2.2. IDEAL WAITING AREA:

A waiting area, where the animals to be treated can be accommodated before the actual hoof care, ensures even faster and smoother hoof care.

TREATMENT CYCLE	SPACE REQUIRED	EXAMPLE 50/100 COWS
Weekly	5% of cattle stock	3 / 5
2-weekly	10% of cattle stock	5 / 10
Monthly	20% of cattle stock	10 / 20
Six-monthly	100% of cattle stock	50 / 100



### 3. OPTIMAL DESIGN OF THE CARE AREA



**Is there an electrical power connection available ?**

Tip: Avoid cables on the ground!



**Is there a water connection available ?**

A nearby water connection is recommended for cleaning the hooves before treatment, as well as the floor and the appliance after hoof treatment.



**Do I have adequate lighting ?**

The lighting fixtures and the installation of these should be selected so that the entire care area is well lit. We recommend an LED light mounted on the wall or ceiling in such a way that you do not cast a shadow on the hoof trimming area and such there is always a good view of the hooves



**What is the condition of the floor ?**

Non-slip, easy-to-clean floor surfaces with water drainage ensures secure footing for the animals.



**Is my tool to hand ?**

Well cared for and sharpened tools should be to hand during hoof care. A small tool cupboard is recommended for storage after hoof treatment.