

## Operating and Servicing Instructions

### Hoof Trimming Crush Kipp Top II



Kipp Top II - Basic  
Kipp Top II - Comfort  
Kipp Top II - Professional



**Serial Number:** \_\_\_\_\_

**Purchase Date:** \_\_\_\_\_

**Must be read before first use!  
Keep for future reference!  
Valid as of: 01/2023**

# Contents

<b>1</b>	<b>INTRODUCTION</b>	<b>4</b>
1.1	About this Product	4
1.2	Intended Use	4
1.3	Examples of Incorrect Use auf	5
1.4	EU Declaration of Conformity	6
1.5	Guarantee Statement	6
1.6	Technical Specification	7
1.7	Data Plate	7
1.8	Structure and Area of Applicability of the Operating Instructions	7
1.8.1	Structure	7
1.8.2	Target Group	7
1.8.3	Changes to these Operating Instructions	7
1.8.4	Safe Keeping of these Operating Instructions	8
1.8.5	Spatial Limits	8
1.8.6	Time Limits	8
1.8.7	Operational Working Space	8
1.8.8	Explanation of the Information and Hazard Notices	8
1.8.9	Pictograms in the Operating Instructions and on the Machine	9
<b>2</b>	<b>TRANSPORT</b>	<b>10</b>
2.1	Hitching the Hoof Trimming Crush to a Tractor	10
2.2	Towing the Hoof Trimming Crush with a Tractor	10
2.3	Removal of the Hoof Trimming Crush from the Tractor and Setting Down	11
<b>3</b>	<b>STARTING / OPERATION</b>	<b>12</b>
3.1	View of the Appliance / Main Operating Elements Kipp Top II Comfort	12
3.2	Safety before Starting	13
3.3	Procedure for starting the Hoof Trimming Crush	14
<b>4</b>	<b>DECOMMISSIONING / CESSATION OF WORK</b>	<b>16</b>
<b>5</b>	<b>CLEANING</b>	<b>17</b>
<b>6</b>	<b>SERVICING / MAINTENANCE / REPAIR</b>	<b>17</b>
6.1	Safety Notices	17
6.2	Electrical Hazard	17
6.3	Servicing and Care	18

<b>7</b>	<b>REPLACEMENT PARTS .....</b>	<b>18</b>
<b>8</b>	<b>REGULAR INSPECTION .....</b>	<b>19</b>
<b>9</b>	<b>SCOPE OF DELIVERY / ACCESSORIES .....</b>	<b>20</b>

## 1 Introduction

### 1.1 About this Product

---

You have purchased equipment with pioneering technology for the care of animal hooves in the Rosensteiner "Kipp Top II" hoof trimming crush. The hoof trimming crush is for economic, periodic and proper care of hooves in a position that is ergonomic, functional and not tiring for the carer. The hoof trimming crush is also generally referred to as the equipment in these operating instructions.



The equipment and its equipment comply with the current applicable state of technology at the time of introduction to the market. Nonetheless, there remain some hazards. We have minimised the risk to persons of these hazards as far as possible by design.

This document contains important instructions and provides guidance for safe operation including all activities necessary for operation like operation, servicing and maintenance. Following the instructions will help you to avoid hazards and increase the life expectancy of the equipment. Changes to these instructions by the customer are prohibited.

The documentation from individual sub-contractors and in particular the notices and instructions specified in them have full validity and must also be adhered to.

The manufacturer accepts no responsibility for any damage arising from non-adherence to specifications and instructions in the operating instructions or from incorrect use.

The documentation was prepared by us with the greatest care. It is nonetheless possible that there are minor differences in the content. Please let us know if this is the case.

#### CAUTION



Modifications by the customer (constructive, functional or procedural) or use of components and attachments to the equipment nullify the manufacturer's liability.

#### WARNING



Intended conversions or changes to the equipment described require a new analysis of hazards and risk assessment! Original parts and accessories are specially designed for this equipment. We expressly draw attention to the fact that original parts and accessories not specified and/or supplied by us have also not been tested and approved by us. Fitting and/or use of such products could therefore change or adversely affect the constructively specified properties of your equipment. The manufacturer accepts no liability for damage arising from the use of non-original parts and accessories.

### 1.2 Intended Use

---

The Kipp Top II hoof trimming crush is intended solely for the care of animal hooves. The hoof trimming crush is suitable for cattle from 300 kg to a maximum of 1000 kg. Any action other than the "intended use" constitutes misuse and is thus forbidden. This also applies to the components of this equipment.

## 1.3 Examples of Incorrect Use auf

---

- Any use other than, or beyond, the “intended use“.
- Operation of the equipment that does not correspond to the requirements of the safety and hazard aspects or does not comply with the operating instructions. This also applies to faults arising from inadequate, incorrect or unauthorised work on or with the equipment.
- Any changes, by-passing or de-commissioning of fittings on the equipment which are there to ensure fault-free function or active and passive safety.
- Operation of the equipment in a condition other than technically fault-free.
- Non-rectification of faults which adversely affect safety before use of the equipment.
- Use of non-authorised auxiliary equipment and tools.

**The manufacturer will accept no liability for any damage resulting from misuse.**

## 1.4 EU Declaration of Conformity

---

### Manufacturer and Responsible Body for Documentation:

ROSENSTEINER  
Landmaschinenbau GmbH  
Hermesstraße 2b  
A-4595 Waldneukirchen  
Telephone +43(0)7258/20 110

Hereby declares that the machine described in these operating instructions:

**Type:**                    **Kipp Top II Basic**  
                              **Kipp Top II Comfort**  
                              **Kipp Top II Professional**  
**Designation:**        **Kipp Top II Hoof Trimming Crush**  
**Manufacturer:**      **Rosensteiner**

Complies with the conditions of Guideline 2006/42/EG (for machines).



Steinbach, 01.02.2015



---

Andreas Rosensteiner, Owner

## 1.5 Guarantee Statement

---

Rosensteiner Landmaschinenbau GesmbH provides a guarantee to the purchaser according to the following conditions:

- The guarantee covers the function and quality of the appliance. No guarantee is offered for signs of wear and tear.
- The guarantee period is for one year beginning at the day of delivery to the customer. All guarantee claims received within the guarantee period by the dealer or in the factory, Hermesstraße 2b, A-4595 Waldneukirchen, will be considered.
- If faults in the material or manufacture should manifest themselves within the guarantee period, then guarantee claims should be submitted immediately to the dealer or the manufacturer.
- The faulty appliance or faulty part must be shown to the dealer. Subsequent repair or replacement may only take place after consultation with Rosensteiner. No expenditure will be covered without the express approval of the manufacturer. Faulty parts must be kept by the dealer or sent to Rosensteiner as agreed: the appliance must be brought by the customer carriage paid to the dealer.
- Guarantee claims cannot be considered if the appliance has been damaged or destroyed by force majeure. Caution: Guarantee claims also lapse due to incorrect handling, overloading or service and care work not being carried out!
- Guarantee claims will only be considered if the purchase contract, invoice or delivery note are presented at the same time.
- The guarantee offered provides for the repair of the appliance or exchange for a functioning equivalent.
- All further claims, in particular for damage and losses of any kind arising from use of the appliance are excluded.
- If an exchange takes place according to this guarantee initiated by us, guarantee claims against the dealer as the seller are excluded.

## 1.6 Technical Specification

---

<b>Machine type</b>	Hoof Trimming Crush Kipp Top II
<b>Dimensions</b>	1960/2130/2060 (L/B/H)
<b>Recommended animal size</b>	300-1000kg
<b>Tare weight</b>	620 - 720 kg
<b>Attachment</b>	Three-point attachment Cat II
<b>Cushioning</b>	Rubber matting Cow Comfort 30mm
<b>Drive via</b>	220V/1.8kW electro-hydraulic
<b>Upper surface</b>	galvanized
<b>Max. Operating pressure</b>	180bar (pre-set)

## 1.7 Data Plate

---

The data plate is attached to the top of the operating unit and contains the type designation, the serial number and the year of construction!



Data Plate

Location

## 1.8 Structure and Area of Applicability of the Operating Instructions

---

### 1.8.1 Structure

These operating instructions were written according to the Guideline 2006/42/EG and the Regulation MSV 2010 implemented from that in Austria. These operating instructions supports you in becoming familiar with the technical details of the machine, safe and correct operation and servicing of the machine, and its correct use.

### 1.8.2 Target Group

The operating instructions are intended for persons tasked with handling the hoof trimming crush, starting up and operating it and who have the appropriate qualifications for their activities and functions, i.e. who can evaluate the work and identify possible hazards.

Every person who works with this hoof trimming crush must be familiar with handling the animals/cattle to be treated.

Every person involved with work on the machine, e.g., operation, maintenance, transport, must:

- Have read and understood these operating instructions before working on the machine
- Follow the instructions and safety advice contained in them.

### 1.8.3 Changes to these Operating Instructions

These operating instructions illustrate the status of the equipment at the time the operating instructions were written.

## 1.8.4 Safe Keeping of these Operating Instructions

These operating instructions must be kept at the place where the equipment is used and must be accessible to personnel using the equipment! If the operating instructions are lost, a replacement can be requested from your dealer. If you sell the hoof trimming crush on, please remember to pass these operating instructions on as well. It is a legal part of your machine. You can also find the operating instructions on our homepage [www.rosensteiner.at](http://www.rosensteiner.at)

## 1.8.5 Spatial Limits

The equipment is designed for mobile use at different locations.

## 1.8.6 Time Limits

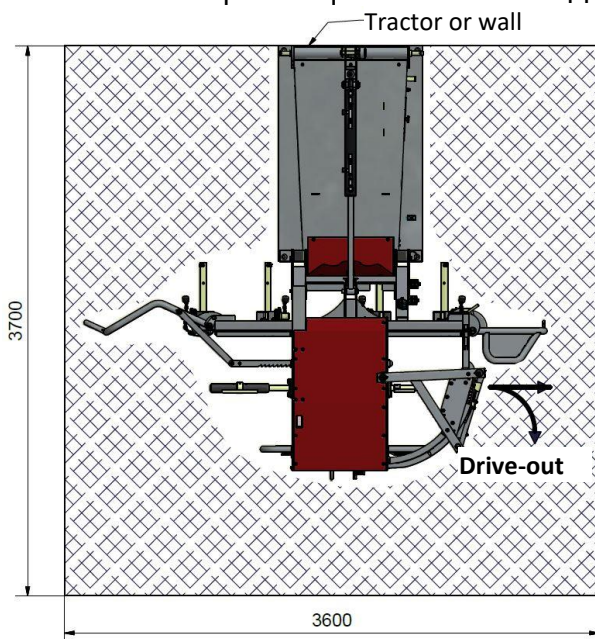
Consideration must be given to the lifetime of components used in respect of reliability, vulnerability to failure and limits of use due to the demands on the equipment.

The following life phases are not considered in these operating instructions:

- Manufacture and transport (to the customer / operator)
- Maintenance work on the equipment and its components in workshops
- Work which requires specialist competence on the part of the person carrying it out, (welding work, electrical work...)

## 1.8.7 Operational Working Space

Recommended space requirement for the appliance "Kipp Top II":



## 1.8.8 Explanation of the Information and Hazard Notices



Useful additional information in free text is labelled with an adjacent info button.



## SIGNAL WORD



Type and source of the hazard and the associated risk!

Possible consequences for people, machine parts, tools and workpiece – residual risk!  
Actions for avoidance of the risk to life and limb and reduction of the residual risk.

## NOTICE

Warns of a possibly hazardous situation which could damage the appliance or an object in its environment.

## CAUTION

Warns of a possibly hazardous situation which could lead to slight bodily injury or material damage.

## WARNING

Warns of a possibly hazardous situation which could lead to serious physical injury or death.

## DANGER

Warns of an immediate threat which could lead to severe physical injury or death.

### 1.8.9 Pictograms in the Operating Instructions and on the Machine



Never step into the hazard zone between the attachment and the machine!



Caution – Crushing hazard!



Read and observe the operating instructions and safety notices before operating!



Switch off motor and remove mains supply before repair, servicing and cleaning work!



Keep sufficient distance away from electrical high voltage supplies!



Use chocks before uncoupling or setting down the machine!



Avoid uneven surfaces and slopes on which the machine could slip, tip or fall!



Take care with escaping high-pressure fluid. Follow instructions in the technical handbook!



Caution -Tipping hazard, secure hoof trimming crush against tipping.

## 2 Transport

### 2.1 Hitching the Hoof Trimming Crush to a Tractor

---

#### WARNING



To transport the hoof trimming crush by tractor, the balls of the lower link are first connected to the lower link pin of the Kipp Top II. Then reverse the tractor to the appliance taking care that no-one is standing in the hazard zone, especially between the tractor and the hoof trimming crush, lift the lower link until the balls engage with the lower limb. Now just mount the upper link and secure.

#### To note when hitching:

- Before attaching the hoof trimming crush, ensure that the front of the tractor has adequate counterweight if necessary.



- Never step between the tractor and the hoof trimming crush when hitching, there is a crushing hazard.
- Use suitable bolts with circlips to fit the hoof trimming crush to the upper and lower links and check for firm seating in the mounting.



- When operating the tractor hydraulics, (upper link, lower link) ensure you have a safe footing with sufficient distance from hazardous movements, never stand on parts of the tractor auf (lower link...) or the hoof trimming crush
- Never step between the hoof trimming crush and the tractor if the tractor is running.
- Check transport position.

### 2.2 Towing the Hoof Trimming Crush with a Tractor

---

#### WARNING



- Keep sufficient distance from high voltage supply wires during transport.
- When transporting the appliance on public roads, observe the traffic regulations of your country and attach the legally specified lights or warning signs on the appliance.



- When driving in the daytime, two warning signs must be attached to the left and the right of the hoof trimming crush so that the rear lights of the towing vehicle are not covered. For night driving, a light board with full lighting must be attached to the rear of the hoof trimming crush muss (lights on the left and the right, like the towing vehicle).
- Transporting animals with the hoof trimming crush is forbidden without exception!

## 2.3 Removal of the Hoof Trimming Crush from the Tractor and Setting Down

---

Proceed as follows to set down the hoof trimming crush:

**WARNING**



- Move to a level set-down location.



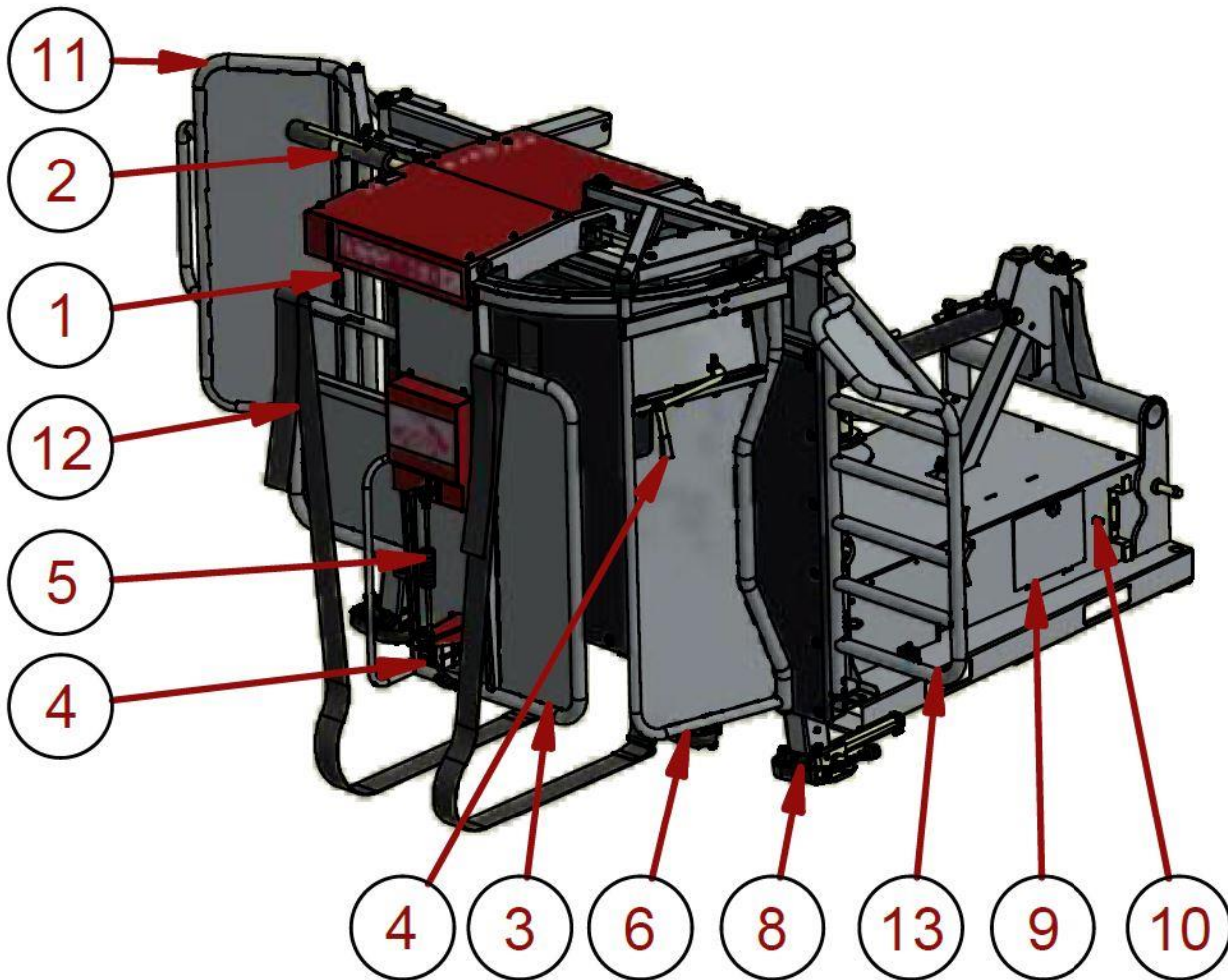
- Secure the tractor against rolling (handbrake, chocks).



- Lower hoof trimming crush. When setting down the hoof trimming crush, ensure that it is set down so that it cannot tip or slip, especially if it is raised, such as on battens or pallets etc.
- Then release first the upper link then the lower link.

### 3 Starting / Operation

#### 3.1 View of the Appliance / Main Operating Elements Kipp Top II Comfort



Item.	Designation
01	Locking-catching device
03	Drive-in bar
05	Lift/lower lever
07	Locking lever
09	Emergency program cover
11	Catching device
13	Head catching device

Item.	Designation
02	Winding rod
04	Motor switch
06	Safety catch
08	Foot holder
10	Plug
12	Belly strap

## 3.2 Safety before Starting

---

### NOTICE



- When first switching on, you should get the assistance from someone with experience of the appliance and with hoof care.
- Do not carry out hoof care immediately after feeding!

### WARNING



- These instructions must be carefully read and followed before starting and operating the equipment.



- If the hoof trimming crush is not attached to a suitable towing vehicle, it must be anchored to the ground!
- Adequate ventilation must be ensured when carrying out work.
- When working on the hoof trimming crush when it is attached to a tractor, the tractor must be switched off and secured against re-starting (ignition key removed) and rolling (handbrake, chocks)
- The appliance may only be operated by persons who are familiar with the intended area of use and handling cattle.
- A general visual check of the hoof trimming crush for any changes must be carried out before use.
- Check whether the hoof trimming crush is on a level surface.



- Check the hoof trimming crush for loose (especially bolts) or parts hanging down.
- Check the hydraulic system for damage, especially the lines and hoses.
- Check belt for wear.
- Check of the condition of all safety equipment.
- Check bolts and tighten if necessary.
- The appliance may only be operated with suitable protective measures against too high contact voltages. RC-switch 30mA trigger current.
- Visual check for damage of electrical equipment.
- Check whether the electrical inspection is within the annual interval (annual inspection of the electrical installations by a specialist required)
- Check the working area and ensure that no other unauthorised persons are in the working area – beware of children in particular.



- Check the working area and ensure that no other unauthorised persons are in the working area – beware of children in particular.



- Use personal protective equipment.

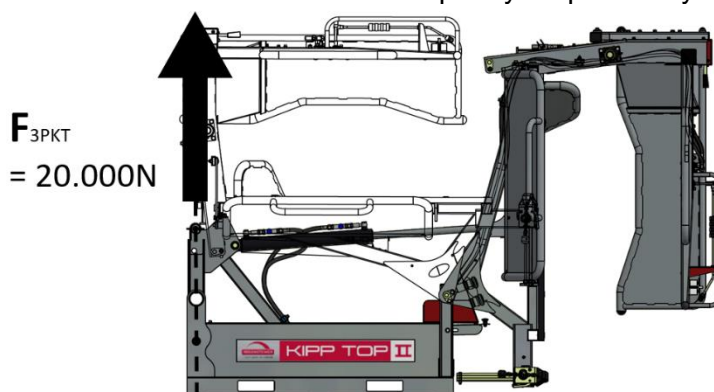
## 3.3 Procedure for starting the Hoof Trimming Crush

See Appliance View(s) for the Numbering in the Following:



1) the hoof trimming rush must be secured against tipping before each start-up!

- **Version A:** fixing to the ground  
to use the hoof trimming crush with a fixed floor mounting, the appliance must be fixed using four suitable bolts (e.g.: Fischer Anker FBN II 12/20 (12x116) or higher specification) through the four ground fixing points. The four ground fixing points are located at the four corners of the sub-frame. The ground must be suitable for fixing and able to accept an axial loading of at least 20kN per fixing point.  
the Kipp Top II is a stationary appliance with appropriate fixing.
- **Version B:** Attachment to a carrying vehicle  
if the hoof trimming crush is used with a carrying vehicle such as a tractor or a loader, there must be a positive locking non-self-releasing connection to a carrying vehicle. The carrying vehicle must have a tare weight of at least 2,500kg. a positive-locking connection would be, for example, fitting with the upper and lower links of the tractor hydraulics to the three-point connection provided for that or by the locked tool receptor of a loader.
- **Version C:** Bespoke Construction  
The hoof trimming crush can be secured against tipping using a bespoke expertly constructed construction. The following conditions must be met:
  - Fixing of the bespoke construction to the three-point attachment of the hoof trimming crush. This is designed for that.
  - The construction must be able to receive a force of minimum  $F_{3PKT} = 20,000N$ . See sketch. Appropriate supporting calculations must be made and kept.
  - The construction must be made by a specialist operation or by a person with appropriate skills and knowledge. The materials used, the quality of welded seams and the fitting material must be suitable for the forces arising.
  - The fitting point of the construction on the floor, the wall or other suitable places must be able to withstand the moment or tensile forces arising.
  - Rosensteiner GmbH cannot accept any responsibility for the correct design!



2) switch on the unit using the plug (10) (230V, 50Hz) and switch on using the main switch (4). Beware of escaping high pressure fluid. In the event of injury from hydraulic leaks, seek immediate medical attention.



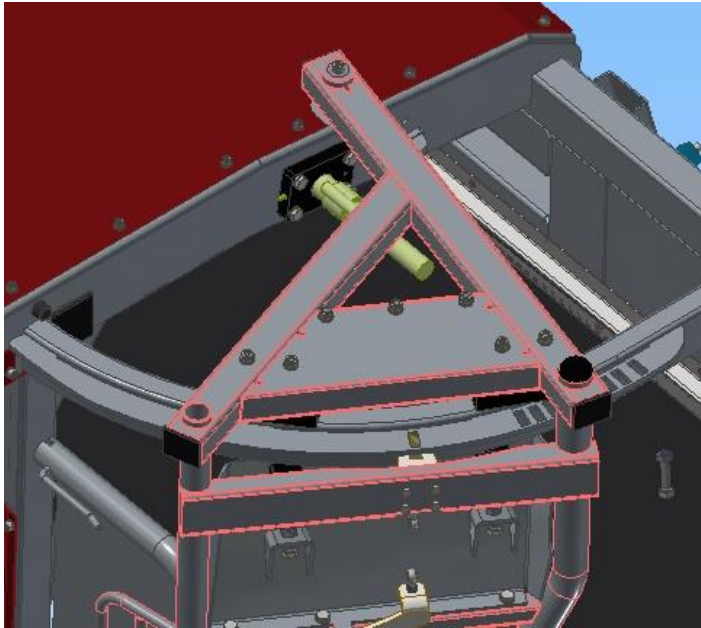
- 3)** lower the table by pulling the lever (5). (ensure that the appliance is sufficiently secured against tipping)
- 4)** Open the catching device (6) by pulling the locking lever (7) and fold the head bar (13) out into the working position and lock it using the spring lock.
- 5)** Open the drive-in gate (11) using the unlocking lever(1).
- 6)** close the catching device at a suitable position for catching and ensure that the spring bolt is engaged, and the catching device can no longer move up.
- 7)** Lay the belly strap flat on the floor so that the animal steps over it and hang it in the holder on the front of the operating unit.
- 8)** Push the animal from the rear into the appliance and close the drive-in gate (11) behind the animal by simply pushing shut. Then close the catching device (6) tighter so that the head is fixed. How far the closing device closes can be set by adjusting the stop point of the closing device simply with the clip pin. This stop point is located at the end of the spar tube.
- 9)** Lay the belly strap (12) by hand on the animal from the rear (behind the hip bone) until the strap is loosely on the body of the animal. Now tighten it by half a turn. Tighten the belly strap at the front by hand until the strap is loosely on the body.



- 10)** tighten the belt hydraulically until the stop limit
- 11)** Tip the table by 45°. Do this by moving the lever (5) upwards.
- 12)** Lay the feet on the foot-holder shaped rubber part, lay the strap over them and then lay the chain in the chain sprocket. Then pull the chain from behind over to the front and tighten it. The foot is now fixed.
- 13)** The foot holder can simply be pulled out to adjust the height; the fixing flap must be lifted to push it in.
- 14)** Tip the table until it is completely flat against the limit stop.
- 15)** Carry out hoof care. When using rotating tools, wear safety glasses and safety gloves.
- 16)** Only angle grinders with a guard may be used
- 17)** Angle grinders may only be placed in holders after the disc has come to a complete stop.
- 18)** Push release flaps completely upwards until they engage for all 4 foot-holders.
- 19)** Move the table back to a 45°position, turn the chain sprocket again by pulling the release lever, and release the feet. Push the foot holder completely back ensuring that the flaps are moved back to the locking position.
- 20)** Lower the table to the limit stop, release the strap and place it in the original position, open the catching device (6) with the lever (4) and drive the animal out.

## **Version B: Securing Manually Led Animals with Halter**

- 1) Set the catching bar at the centre position
- 2) Walk in front of the animal through the drive-in bar so that the animal's head is level with the head frame.
- 3) Secure the halter on the bottom of the head frame to the rope holder.
- 4) Then also close the catching device to avoid head movement by the animal
- 5) Attach strap and carry out the work as previously described.



Catching device position for driving in with a halter

## 4 Decommissioning / Cessation of Work



See appliance view(s) for numbering in the following.

- If there are interruptions to work, or at the end of work, the ignition key of the tractor must be removed.

### CAUTION



The following procedure must be followed where there are interruptions to work or work ceases:

- 1) Before the table is tipped to the horizontal, the catching device should be turned towards the rubber mat. If other operating elements need to be moved out of the work position, this must be done before tipping.
- 2) The table must be brought to the horizontal until it is lying on the rubber limit stop before switching off. This prevents any further movement of the table or tipping of the appliance.
- 3) Switch off motor (04) and unplug appliance.

### Switching on:

- 1) Tip the table to the vertical and open catching device.
- 2) If other actions have been undertaken, move these to the work position as well (drive-in gate, head frame...)

### NOTE



Check transport settings (for transport, the drive-in gate is completely closed until the last catch of the lock is engaged. The head frame is rotated inwards until it is on the rubber mat, then the catching device is closed).



## 5 Cleaning

### NOTICE

- If cleaning agents are used, follow the safety instructions in the accompanying safety data sheet.



- Dispose of cleaning water according to the national regulations.



- When cleaning with high pressure cleaners, wear safety glasses.
- Do not clean electrical components (switched, plugs etc.) directly with high pressure jets.

## 6 Servicing / Maintenance / Repair

### 6.1 Safety Notices

---

#### CAUTION



- Maintenance work may only be carried out by trained and qualified personnel or by the manufacturer.
- Servicing and maintenance work may only be completed if there is suitable lighting present for the work to be carried out.
- Servicing work may only be carried out if the machine is switched off.

### 6.2 Electrical Hazard

---

#### DANGER



#### Contact with Live Components.

#### Effects of electrical current on humans.

- Compliance with legal regulations for installation, operation, maintenance and inspection of electrical equipment.
- Only allow electrical work to be carried out by electrical specialists.
- Have damaged installations repaired immediately by specialist personnel.
- Use of suitable plugs and connections.
- Recurrent inspections.
- Always switch off and protect against re-starting before opening electrical appliance covers.

#### Maintenance personnel must be familiar with all technical standards and regulations.

#### Unexpected changes to operating conditions can lead to injury.

- Check that any released bolt connections are re-tightened before starting.
- Loosening bolt connections: when opening bolted connections, open them slowly to release pressure in the lines.
- Opening of outlet points with bolt connections: do not remove bolt connections of outlet points until the system is de-pressurised.

**The pressure must be completely released before opening pipe connections and pressurised systems**

## 6.3 Servicing and Care

**The following actions will increase operational safety and extend the life of your appliance:**



- All joints must be lubricated regularly and after any cleaning with a high-pressure cleaner. (table swivel, winding stroke-cylinder and catching device)
- Check hydraulic oil level periodically and top up if necessary. Oil change one year after first commissioning. Subsequent oil changes every two years. Original filling: Hydraulic oil HLP15, Quantity: Basic, Comfort 6l Professional 6.5l

### NOTICE



- Check bolts (especially on the hydraulic system) after every 5 starts and tighten if required.
- Repair or change damaged parts immediately. Working with damaged parts can be a hazard to you and to the animal.



- Hoses and hose connections are subject to natural ageing even with correct storage and approved load. This means they have a defined lifetime. The lifetime of a hose connection including any storage time of the hose should not exceed six years. Storage time should not exceed two years in accordance with DIN 20 066.

## 7 Replacement Parts

### HINWEIS



- If a component of the machine needs to be replaced, original parts must be used. Replacement and consumable parts for original components and accessories not supplied by the manufacturer of the machine are not tested and approved by the manufacturer.
- Installation and/or use of such products could alter the constructively specified properties of the machine and endanger safety.
- The manufacturer will accept no responsibility of any kind for damage or subsequent losses arising from the use of non-original replacement parts and accessories, or incorrect fitting or exchange of original parts and accessories and the guarantee will no longer be valid.
- After expiry of the guarantee period, we recommend the use of original parts to ensure constant efficiency of the machine. In the event of guarantee claims, please contact your local sales and service partner.

## 8 Regular Inspection

**NOTICE**



The electrical installation of the machine must be subjected to an annual inspection by a qualified person.

## 9 Scope of Delivery / Accessories

### Series equipment:

- Head frame (mechanical sliding door open at the bottom– considers every head position for easy drive-in)
- Hydraulic belly-strap tensioning
- Central operation from the workplace
- Close drive-in bar for faster drive-in
- Three-point Cat II, 4-sided fork-lift truck lift point, 2-sided lift truck lift point
- High quality Bosch Rexroth hydraulic unit with a 1.8kW electric motor
- Rubber mat Cow Comfort 30mm
- 4 foot-holders d. 40mm with chain lock, re-tensionable, self-locking height adjustment, extremely fast
- Complete strap system (belly strap, foot strap)
- Toolbox with 3 sockets
- Bolt points for floor-fixing
- Easily accessible service openings
- Complete base frame galvanised

Art. No.	Type	Description
14 000B	Kipp Top II Basic	according to series equipment
14 000C	Kipp Top II Comfort	<ul style="list-style-type: none"> <li>○ mech. Drive-in gate</li> <li>○ Equipment box for tools (2x flex, 2x knife-holder)</li> </ul>
14 000P	Kipp Top II Professionell	<ul style="list-style-type: none"> <li>○ Hydraulic drive-in gate</li> <li>○ Equipment box for tools (2x flex, 2x knife-holders)</li> <li>○ Emergency program connector to tractor for external hydraulics (in case of power failure)</li> </ul>

Art. Nr.	Accessories
16400	Drive grate set „Klauenpflege Comfort“
16401	Attachment for drive grate set
14610	Mechanical drive-in gate for simple drive-in/out, gate is closed manually also serves as table extension,
14620	Hydraulic drive-in gate for simple drive-in/out, operation is via central operating unit, also serves as table extension
14630	Equipment box for tools (2x flex, 2x knife holder)
14670	Emergency program connection for external hydraulics (from the tractor in the event of a power failure or for working in the field or meadow)
16410	Fischer anchor (12x116) for fixing to the ground, set of 4